

AVIBRATOR® Type FL

for Vibration Isolation and Structure-Borne Noise Reduction

- Load capacity 0.15 up to 5.5 kN
Vertical natural frequency 2.7 up to 4.5 Hz

■ Mode of Function

The transmission of intermittent or periodic impact force is considerably reduced by the vibration isolation bedding of machines and plants on G+H bearing elements.

■ Advantages

- Steel screw pressure springs acc. to DIN EN13906 block fixed to absorb overloads (e.g. during erection).
- Closed construction design. Soiling, which under some circumstances may lead to forced arrest of the elastic system, is avoided.
- Due to the high static friction of the adhesive and structure-borne noise damping sheets, installation is usually possible without further fixing.

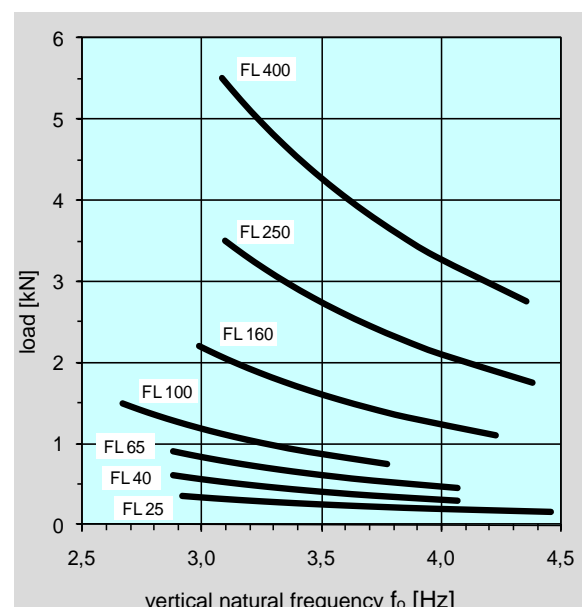
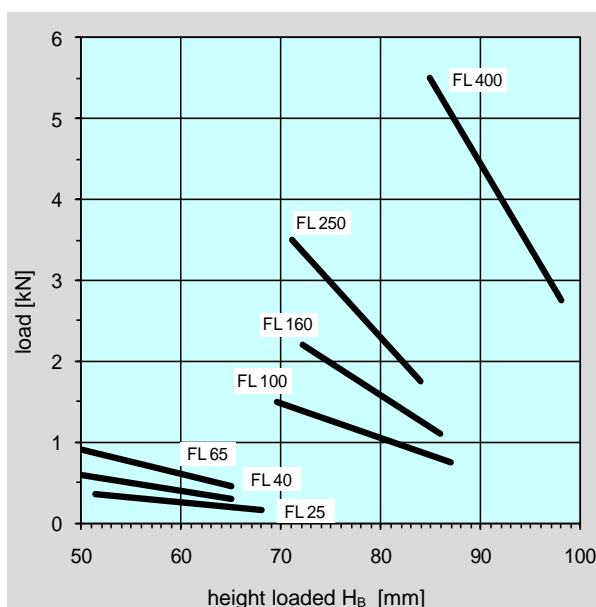
■ Execution

- Aluminium pressure cast housing
- Steel screws pressure springs in compliance with DIN EN 13906
- Steel screws pressure springs with anticorrosive coating



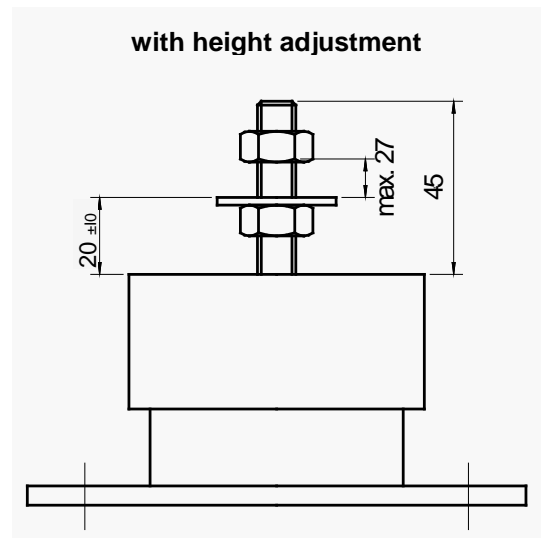
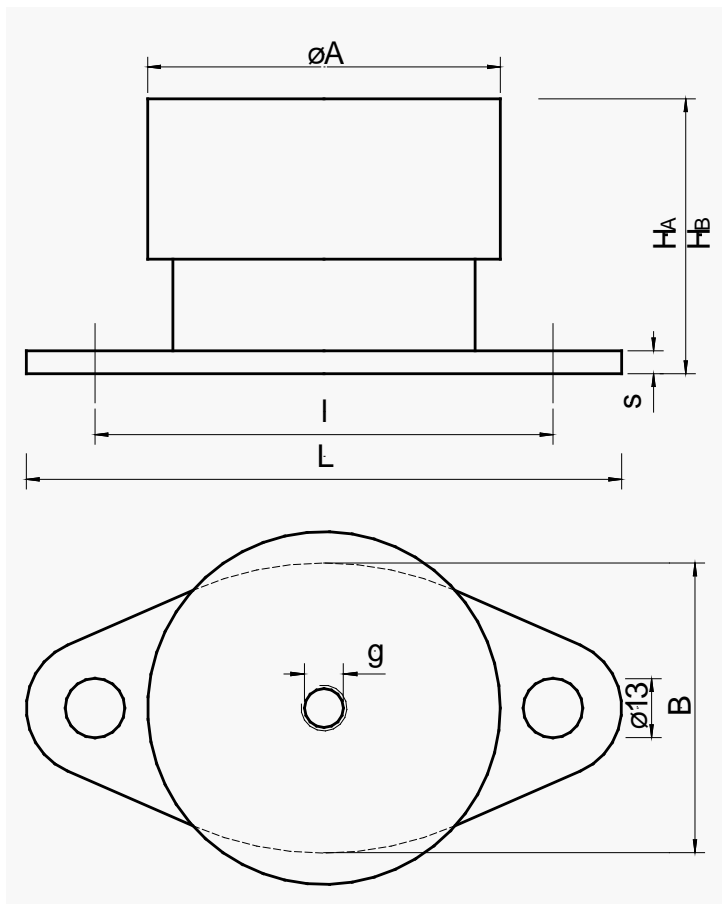
■ Accessories

- **Adhesive sheet at bottom – Gu, Adhesive Sheet on top – Go:** For mounting, fixing and levelling uneven surfaces on erection site. Due to their good adhesive features, the adhesive and the structure-borne noise damping sheets are in most cases suitable for the mounting (not using any screws). Thickness: 2 mm
- **Structure-borne Damping Sheet: –K** Like adhesive sheet at bottom, however additional improvement of structure-borne damping. Thickness: 5 mm
- **Height Adjustment: – H** For levelling uneven surfaces on erection site and for adjusting height of the vibration isolated machine or plant.
- **Gemak®-Glue:** To glue Avibrators with adhesive or structure-borne damping sheet with surfaces



■ Technical Data, Dimensions, weights

Type	Load Capacity		Spring Constant		Natural Frequency vertical				Height			Dimensions						Weight [kg]
	from	to	verti- cal	hori- zontal	from	f _o		to	un- loaded	loaded		L	B	I	øA	s	g	
	F _{zul} [kN]		C _v C _h [N/mm]		[1/min]	[Hz]	[1/min]	[Hz]	H _A [mm]	H _B [mm]	H _B [mm]	[mm]	[mm]	[mm]	[mm]	[mm]	[mm]	[mm]
FL 25	0,15	0,35	11	10	256	4,3	168	2,8	70	66	48	130	70	100	77	5	M10	0,32
FL 40	0,30	0,60	18	17	232	3,9	164	2,7		64	47							0,34
FL 65	0,45	0,90	29	24	240	4,0	170	2,8		64	49							0,35
FL 100	0,75	1,50	42	31	224	3,7	158	2,6	90	86	68	150	82	120	99	10	M12	0,80
FL 160	1,10	2,20	76	56	249	4,1	176	2,9		86	72							0,88
FL 250	1,50	3,50	134	106	283	4,7	185	3,1		86	71							0,94
FL 400	2,75	5,50	192	135	250	4,2	177	2,9	110	97	82							1,15



The data given in this product information are based on our present state of knowledge, reflect the state-of-the-art technology and are subject to change. Warranty is granted only on the basis of individual contracts and execution by G+H Schallschutz.