

# AVIBRATOR® Type FN

## for Vibration Isolation and Structure-Borne Noise Reduction

- **Load capacity 0.3 up to 27.9 kN**  
Vertical natural frequency 2.1 up to 5.3 Hz  
with and without damper

- **Mode of Function**  
The transmission of intermittent or periodic impact force is considerably reduced by the vibration isolation bedding of machines and plants on G+H bearing elements.

### Advantages

- Steel screw pressure springs acc. to DIN EN 13906 block fixed to absorb overloads (e.g. during erection).
- Closed construction design. Soiling, which under some circumstances may lead to forced arrest of the elastic system, is avoided.
- Due to the high static friction of the adhesive and structure-borne noise damping sheets, installation is usually possible without further fixing.
- Horizontal spring ratio 73-98 % of the vertical spring ratio
- For reducing the vibration amplitudes and power transmissions during start-up and shut-down of the machine (resonance flow), as well as for shortening the vibration process when impulses are triggered, the Avibrators can be fitted with an integrated viscosity damper. The viscosity dampers are maintenance free. The installation of separate viscosity dampers is not necessary.

### Execution

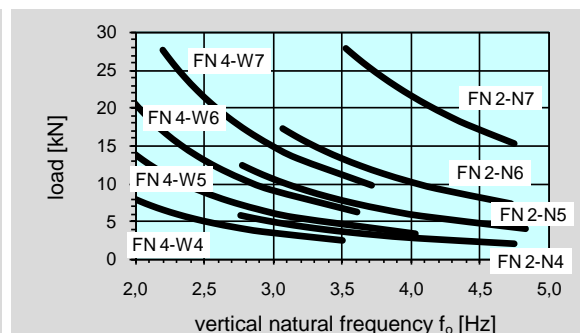
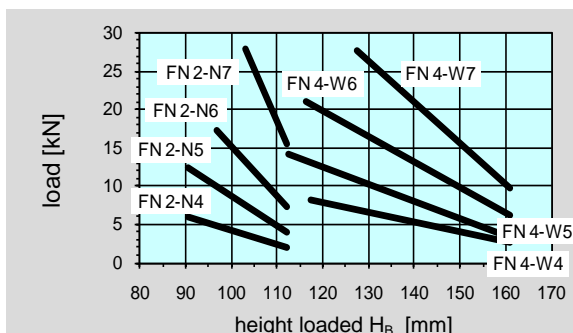
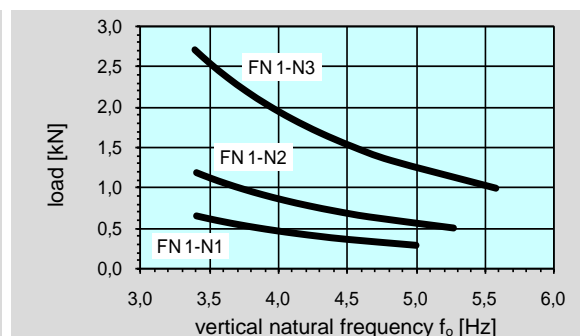
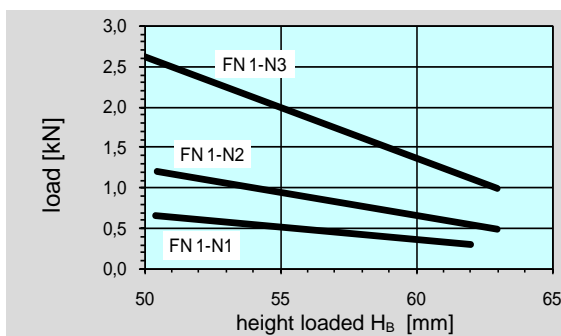
- High-quality grey cast iron casing
- Casing – coated
- Steel screws pressure springs in compliance with DIN EN 13906



- Steel screws pressure springs with anticorrosive coating

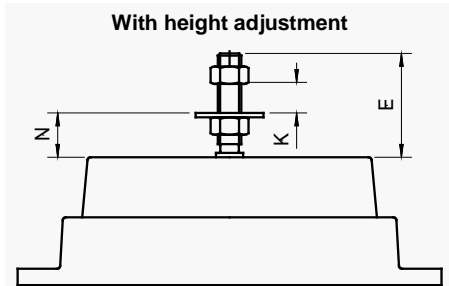
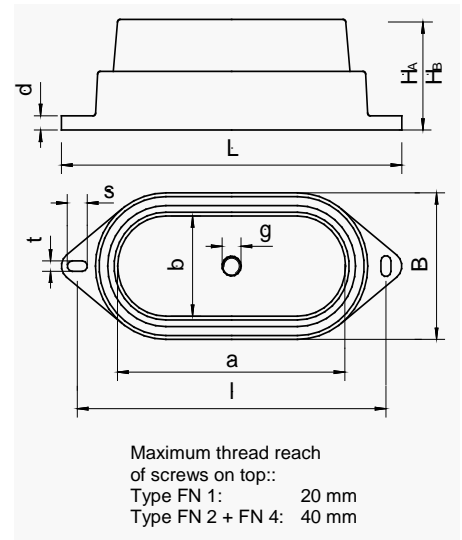
### Accessories

- **Adhesive sheet at bottom – Gu, Adhesive Sheet on top – Go:** For mounting, fixing and levelling uneven surfaces on erection site. Due to their good adhesive features, the adhesive and the structure-borne noise damping sheets are in most cases suitable for the mounting (not using any screws). Thickness: 2 mm
- **Structure-borne Damping Sheet:** -K Like adhesive sheet at bottom, however additional improvement of structure-borne damping. Thickness: 5 mm
- **Height Adjustment:** – H For levelling uneven surfaces on erection site and for adjusting height of the vibration isolated machine or plant.
- **Cover cap:** – A For outside installation as well as protection against penetration of foreign matter. Cast iron casing and cover cap coated.
- **Gemak®-Glue:** To glue Avibrators with adhesive or structure-borne damping sheet with surfaces.



### ■ Technical Data

Type	Load Capacity		Spring Constant		Natural Frequency				Damping Ratio			
	from	to	verti- cal	hori- zontal	from	vertical f <sub>o</sub>	to	from	to			
	F <sub>zul</sub> [kN]		C <sub>v</sub> [N/mm]	C <sub>h</sub> [N/mm]	[1/min]	[Hz]	[1/min]	[Hz]	D	[-]		
without damping:												
FN 1-N1	0,3	0,65	30	27	299	5,0	203	3,4	0,01			
FN 1-N2	0,5	1,2	56	52	317	5,3	204	3,4				
FN 1-N3	1,0	2,7	125	122	334	5,6	204	3,4				
FN 2-N4	2,0	5,9	181	151	285	4,7	166	2,8				
FN 2-N5	4,1	12,4	385	334	290	4,8	167	2,8				
FN 2-N6	7,3	17,3	656	597	284	4,7	184	3,1				
FN 2-N7	15,4	27,9	1395	1354	285	4,7	211	3,5				
FN 4-W4	2,6	8,2	128	93	210	3,5	118	2,0				
FN 4-W5	3,4	14,2	222	174	242	4,0	118	2,0				
FN 4-W6	6,3	21,1	330	267	216	3,6	118	2,0				
FN 4-W7	9,7	27,7	538	449	223	3,7	132	2,2				
with integrated damping:												
FN 1-N1 -Vi	0,3	0,65	30	27	299	5,0	203	3,4			0,25	0,28
FN 1-N2 -Vi	0,5	1,2	56	52	317	5,3	204	3,4	0,10	0,29		
FN 1-N3 -Vi	1,0	2,3	125	122	334	5,6	220	3,7	0,21	0,20		
FN 2-N4 -Vi	2,0	5,9	181	151	285	4,7	166	2,8	0,05	0,32		
FN 2-N5 -Vi	4,1	12,4	385	334	290	4,8	167	2,8	0,12	0,45		
FN 2-N6 -Vi	7,3	17,3	656	597	284	4,7	184	3,1	0,09	0,32		
FN 2-N7 -Vi	15,4	27,9	1395	1354	285	4,7	211	3,5	0,05	0,24		
FN 4-W4 -Vi	2,6	8,2	128	93	210	3,5	118	2,0	0,18	0,24		
FN 4-W5 -Vi	3,4	13,1	222	174	242	4,0	123	2,1	0,12	0,45		
FN 4-W6 -Vi	6,3	19,4	330	267	216	3,6	123	2,1	0,10	0,20		
FN 4-W7 -Vi	9,7	27,7	538	449	223	3,7	132	2,2	0,16	0,19		



### ■ Dimensions, weights

Type	Height		Dimensions													Weight	
	un- loaded	loaded from   to	L	B	l	a	b	s	t	d	g	with height adjustment -H			without	with damper	
	H <sub>A</sub> [mm]	H <sub>B</sub> [mm]	[mm]	[mm]	[mm]	[mm]	[mm]	[mm]	[mm]	[mm]	[mm]	N	K	E	[kg]	[kg]	
FN 1-N1	70	62	51	250	100	220	147	62	18	9	8	M 12	24	50	85	2,3	2,6
FN 1-N2		63	50													2,4	2,7
FN 1-N3		64	50													2,5	2,8
FN 2-N4	119	112	90	375	155	340	251	106	22	11	15	M 20	32	45	95	9,2	11,1
FN 2-N5		112	91													9,7	11,6
FN 2-N6		112	97													9,8	11,7
FN 2-N7		112	103													11,4	13,2
FN 4-W4	176	161	117	446	192	411	307	132	22	11	15	M 20	32	45	95	15,8	18,8
FN 4-W5		166	117													16,8	19,8
FN 4-W6		162	117													17,6	20,6
FN 4-W7		163	129													19,4	22,4

The data given in this product information are based on our present state of knowledge, reflect the state-of-the-art technology and are subject to change. Warranty is granted only on the basis of individual contracts and execution by G+H Schallschutz.