

AVIB® FO

for vibration and structure borne noise isolation

Load capacity up to 111.3 kN

Vertical natural frequency 1.8 Hz

■ Field of application

Vibration and structure borne noise isolation of machines, plants and components.

■ Mode of action

Thanks to the vibration-insulated mounting of machines and plants on G+H AVIB® FO the transmission of periodic, shock-type or random periodic disturbing forces is considerably reduced.

■ Design

- Helical compression springs made from steel according to DIN EN 13906 block resistant so that overload (e. g. during installation) can be absorbed.
- The open design allows visibility of the operating condition of the springs.
- Galvanized base plates
- Helical compression springs made from steel with anti-corrosion coating
- Due to the high coefficient of adhesion friction (against steel > 0.5) in most of the cases adhesive plates or structure borne noise plates are sufficient for fastening (without additional screws).
- Horizontal spring constant is 78-150 % of the vertical spring constant. Therefore we have a high lateral stability.

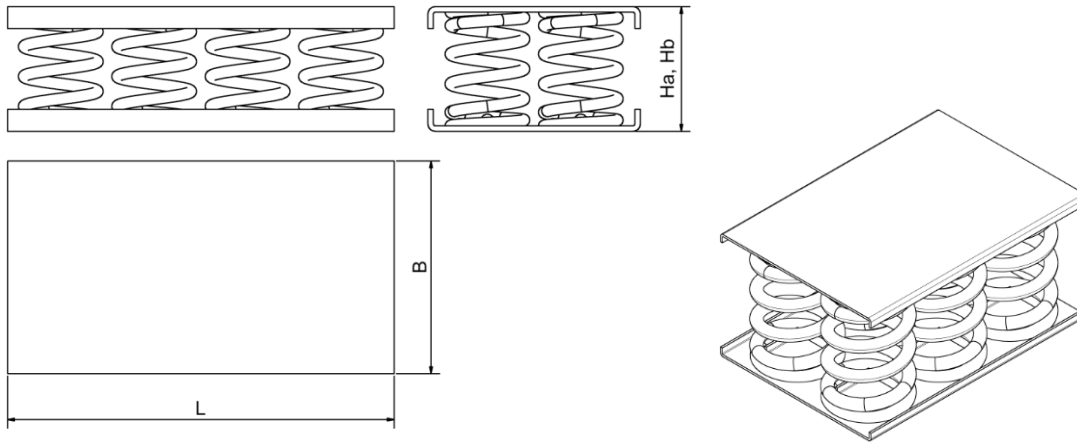


■ Accessories

- **Lower adhesive plate, glued** -Gu, 2 mm
Upper adhesive plate, glued -Go, 2 mm
For fastening and fixing as well as compensation of uneven surfaces of the place of installation. Coefficient of adhesion friction > 0.5
- **Lower structure borne noise isolation plate, glued** -K, 5 mm
As lower adhesive plate, but with additional, improved structure borne noise isolation.
- **Upper mounting plate** -Bo
- **Lower mounting plate** -Bu
- **Central mounting plate** (on request)
- **Painting of the base plates**
- **Height adjustment:** -H
To compensate possible uneven surfaces on the place of installation and to adjust the height.
- **Damping** -Vi (on request)
- **Pretensioning** -Vo (on request)
- **Gemak® adhesive**

■ Technical Data, Dimensions, Weights

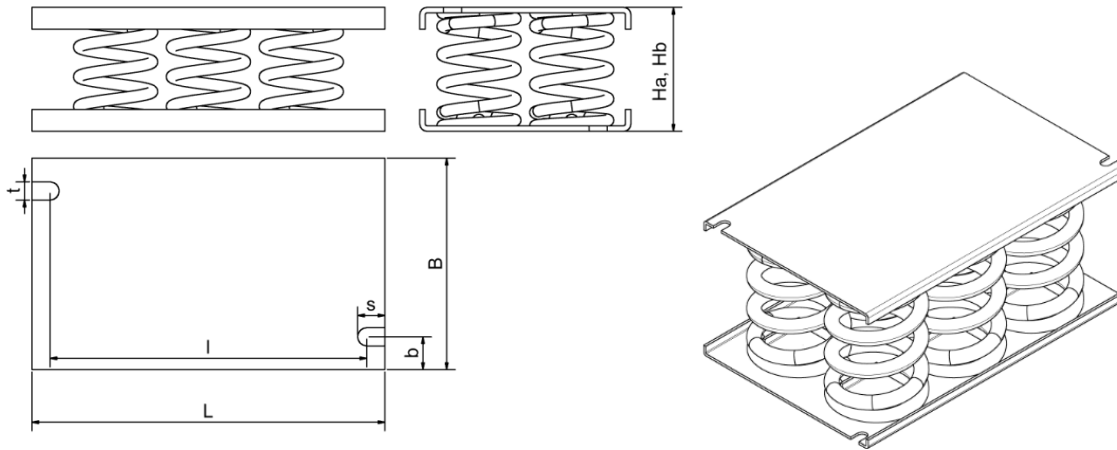
■ Basic design



| Type | Load Capacity Max. | Spring constant | | Natural frequency under max. load | Height | | Length | Width | Weight |
|--------------|--------------------|-----------------|------------|-----------------------------------|--------------|------------|--------|-------|--------|
| | | Vertical | Horizontal | | Without load | Under load | | | |
| | | | | | | | | | |
| [kN] | [N/mm] | [Hz] | [mm] | [mm] | L | B | [kg] | | |
| AVIB FO 1-D1 | 0.17 | 10 | 15 | 3.8 | 36 | 19 | 32 | 32 | 0.07 |
| AVIB FO 2-D1 | 0.34 | 20 | 30 | | | | 64 | 32 | 0.15 |
| AVIB FO 3-D1 | 0.50 | 30 | 45 | | | | 96 | 32 | 0.22 |
| AVIB FO 4-D1 | 0.67 | 40 | 60 | | | | 64 | 64 | 0.30 |
| AVIB FO 5-D1 | 0.84 | 50 | 75 | | | | 77 | 77 | 0.41 |
| AVIB FO 6-D1 | 1.01 | 60 | 90 | | | | 96 | 64 | 0.44 |
| AVIB FO 8-D1 | 1.34 | 80 | 120 | | | | 128 | 64 | 0.59 |
| AVIB FO 1-D2 | 0.27 | 16 | 21 | | | | 3.8 | 39 | 22 |
| AVIB FO 2-D2 | 0.54 | 32 | 42 | 64 | 32 | 0.16 | | | |
| AVIB FO 3-D2 | 0.81 | 47 | 63 | 96 | 32 | 0.23 | | | |
| AVIB FO 4-D2 | 1.08 | 63 | 84 | 64 | 64 | 0.31 | | | |
| AVIB FO 5-D2 | 1.35 | 79 | 105 | 77 | 77 | 0.43 | | | |
| AVIB FO 6-D2 | 1.61 | 95 | 126 | 96 | 64 | 0.47 | | | |
| AVIB FO 8-D2 | 2.15 | 126 | 168 | 128 | 64 | 0.62 | | | |
| AVIB FO 1-N1 | 0.50 | 15 | 16 | 2.7 | 68 | 35 | 57 | 65 | 0.34 |
| AVIB FO 2-N1 | 1.00 | 30 | 32 | | | | 108 | 65 | 0.65 |
| AVIB FO 3-N1 | 1.51 | 45 | 48 | | | | 159 | 65 | 0.96 |
| AVIB FO 4-N1 | 2.01 | 60 | 64 | | | | 108 | 116 | 1.14 |
| AVIB FO 5-N1 | 2.51 | 76 | 80 | | | | 129 | 137 | 1.52 |
| AVIB FO 6-N1 | 3.01 | 91 | 96 | | | | 159 | 116 | 1.69 |
| AVIB FO 8-N1 | 4.02 | 121 | 128 | | | | 211 | 116 | 2.25 |
| AVIB FO 1-N2 | 0.81 | 28 | 29 | 2.9 | 68 | 39 | 57 | 65 | 0.36 |
| AVIB FO 2-N2 | 1.63 | 56 | 58 | | | | 108 | 65 | 0.70 |
| AVIB FO 3-N2 | 2.44 | 84 | 87 | | | | 159 | 65 | 1.04 |
| AVIB FO 4-N2 | 3.25 | 112 | 116 | | | | 108 | 116 | 1.25 |
| AVIB FO 5-N2 | 4.07 | 140 | 145 | | | | 129 | 137 | 1.65 |
| AVIB FO 6-N2 | 4.88 | 167 | 174 | | | | 159 | 116 | 1.85 |
| AVIB FO 8-N2 | 6.50 | 223 | 232 | | | | 211 | 116 | 2.46 |
| AVIB FO 1-N3 | 1.39 | 63 | 64 | 3.3 | 68 | 46 | 57 | 65 | 0.42 |
| AVIB FO 2-N3 | 2.78 | 125 | 128 | | | | 108 | 65 | 0.82 |
| AVIB FO 3-N3 | 4.16 | 188 | 192 | | | | 159 | 65 | 1.22 |
| AVIB FO 4-N3 | 5.55 | 251 | 256 | | | | 108 | 116 | 1.49 |
| AVIB FO 5-N3 | 6.94 | 314 | 320 | | | | 129 | 137 | 1.95 |
| AVIB FO 6-N3 | 8.33 | 376 | 384 | | | | 159 | 116 | 2.21 |
| AVIB FO 8-N3 | 11.10 | 502 | 512 | | | | 211 | 116 | 2.94 |

| Type | Load Capacity max. | Spring constant | | Natural frequency under max. Load | Height | | Length | Width | Weight |
|--------------|--------------------|-----------------|------------|-----------------------------------|--------------|------------------------|--------|-------|--------|
| | | Vertical | Horizontal | | Without load | Under load | | | |
| | | [kN] | [N/mm] | | [Hz] | H _a [mm] | | | |
| AVIB FO 1-N4 | 3.42 | 91 | 79 | 2.6 | 113 | 75 | 97 | 105 | 1.33 |
| AVIB FO 2-N4 | 6.84 | 181 | 158 | 2.5 | | | 189 | 105 | 2.63 |
| AVIB FO 3-N4 | 10.27 | 272 | 237 | | | | 280 | 105 | 3.92 |
| AVIB FO 4-N4 | 13.69 | 362 | 316 | | | | 189 | 197 | 4.99 |
| AVIB FO 5-N4 | 17.11 | 453 | 395 | | | | 226 | 234 | 6.53 |
| AVIB FO 6-N4 | 20.53 | 543 | 474 | | | | 280 | 197 | 7.46 |
| AVIB FO 8-N4 | 27.38 | 724 | 632 | | | | 372 | 197 | 9.93 |
| AVIB FO 1-N5 | 6.23 | 192 | 174 | 2.7 | 113 | 81 | 97 | 105 | 1.54 |
| AVIB FO 2-N5 | 12.46 | 385 | 348 | 2.8 | | | 189 | 105 | 3.05 |
| AVIB FO 3-N5 | 18.69 | 577 | 522 | | | | 280 | 105 | 4.56 |
| AVIB FO 4-N5 | 24.92 | 769 | 696 | | | | 189 | 197 | 5.84 |
| AVIB FO 5-N5 | 31.15 | 962 | 870 | | | | 226 | 234 | 7.59 |
| AVIB FO 6-N5 | 37.37 | 1154 | 1044 | | | | 280 | 197 | 8.73 |
| AVIB FO 8-N5 | 49.83 | 1538 | 1392 | | | | 372 | 197 | 11.62 |
| AVIB FO 1-N6 | 8.66 | 328 | 306 | 3.0 | 113 | 87 | 97 | 105 | 1.89 |
| AVIB FO 2-N6 | 17.31 | 656 | 612 | | | | 189 | 105 | 3.74 |
| AVIB FO 3-N6 | 25.97 | 983 | 918 | | | | 280 | 105 | 5.59 |
| AVIB FO 4-N6 | 34.63 | 1311 | 1224 | | | | 189 | 197 | 7.22 |
| AVIB FO 5-N6 | 43.29 | 1639 | 1530 | | | | 226 | 234 | 9.32 |
| AVIB FO 6-N6 | 51.94 | 1967 | 1836 | | | | 280 | 197 | 10.80 |
| AVIB FO 8-N6 | 69.26 | 2622 | 2448 | | | | 372 | 197 | 14.38 |
| AVIB FO 1-N7 | 13.92 | 698 | 688 | 3.5 | 113 | 93 | 97 | 105 | 2.38 |
| AVIB FO 2-N7 | 27.83 | 1395 | 1376 | | | | 189 | 105 | 4.73 |
| AVIB FO 3-N7 | 41.75 | 2093 | 2064 | | | | 280 | 105 | 7.07 |
| AVIB FO 4-N7 | 55.66 | 2790 | 2752 | | | | 189 | 197 | 9.20 |
| AVIB FO 5-N7 | 69.58 | 3488 | 3440 | | | | 226 | 234 | 11.79 |
| AVIB FO 6-N7 | 83.50 | 4185 | 4128 | | | | 280 | 197 | 13.76 |
| AVIB FO 8-N7 | 111.33 | 5580 | 5504 | | | | 372 | 197 | 18.34 |
| AVIB FO 1-W4 | 4.98 | 64 | 50 | 1.8 | 171 | 93 | 124 | 132 | 2.17 |
| AVIB FO 2-W4 | 9.95 | 128 | 100 | | | | 243 | 132 | 4.82 |
| AVIB FO 3-W4 | 14.93 | 192 | 150 | | | | 361 | 132 | 7.21 |
| AVIB FO 4-W4 | 19.90 | 256 | 200 | | | | 243 | 251 | 9.31 |
| AVIB FO 5-W4 | 24.88 | 320 | 250 | | | | 291 | 299 | 12.14 |
| AVIB FO 6-W4 | 29.85 | 384 | 300 | | | | 361 | 251 | 13.93 |
| AVIB FO 8-W4 | 39.80 | 512 | 400 | | | | 480 | 251 | 18.55 |
| AVIB FO 1-W5 | 7.28 | 111 | 88 | 1.9 | 171 | 105 | 124 | 132 | 2.97 |
| AVIB FO 2-W5 | 14.57 | 222 | 176 | | | | 243 | 132 | 5.91 |
| AVIB FO 3-W5 | 21.85 | 333 | 264 | | | | 361 | 132 | 8.85 |
| AVIB FO 4-W5 | 29.13 | 444 | 352 | | | | 243 | 251 | 11.49 |
| AVIB FO 5-W5 | 36.42 | 555 | 440 | | | | 291 | 299 | 14.87 |
| AVIB FO 6-W5 | 43.70 | 666 | 528 | | | | 361 | 251 | 17.20 |
| AVIB FO 8-W5 | 58.26 | 888 | 704 | | | | 480 | 251 | 22.91 |
| AVIB FO 1-W6 | 11.30 | 165 | 144 | 1.9 | 171 | 103 | 124 | 132 | 3.29 |
| AVIB FO 2-W6 | 22.60 | 330 | 288 | | | 243 | 132 | 6.54 | |
| AVIB FO 3-W6 | 33.91 | 495 | 432 | | | 361 | 132 | 9.79 | |
| AVIB FO 4-W6 | 45.21 | 660 | 576 | | | 243 | 251 | 12.75 | |
| AVIB FO 5-W6 | 56.51 | 825 | 720 | | | 291 | 299 | 16.44 | |
| AVIB FO 6-W6 | 67.81 | 990 | 864 | | | 361 | 251 | 19.09 | |
| AVIB FO 8-W6 | 90.42 | 1320 | 1152 | | | 480 | 251 | 25.43 | |
| AVIB FO 1-W7 | 13.84 | 269 | 232 | 2.2 | 171 | 120 | 124 | 132 | 4.26 |
| AVIB FO 2-W7 | 27.68 | 538 | 464 | | | | 243 | 132 | 8.49 |
| AVIB FO 3-W7 | 41.52 | 806 | 696 | | | | 361 | 132 | 12.70 |
| AVIB FO 4-W7 | 55.36 | 1075 | 928 | | | | 243 | 251 | 16.64 |
| AVIB FO 5-W7 | 69.21 | 1344 | 1160 | | | | 291 | 299 | 21.30 |
| AVIB FO 6-W7 | 83.05 | 1613 | 1392 | | | | 361 | 251 | 24.91 |
| AVIB FO 8-W7 | 110.73 | 2150 | 1856 | | | | 480 | 251 | 33.20 |

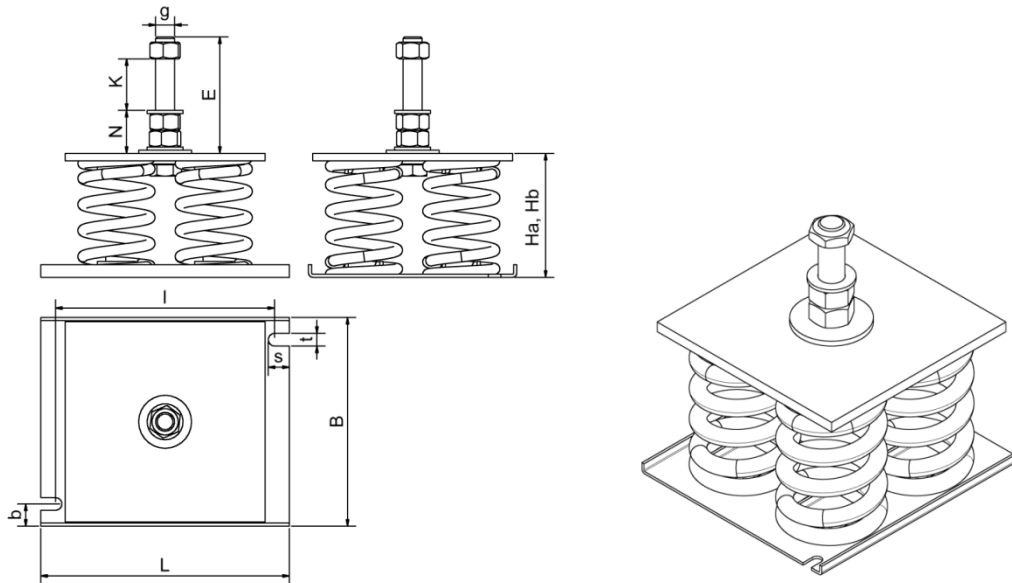
■ Accessory: mounting plate



| Type | Load capacity Max. [kN] | Spring constant | | Natural frequency under max. load [Hz] | Height | | Dimensions | | | | | | Weight [kg] |
|--------------|-------------------------------|-------------------------|---------------------------|---|---|---|------------|-----------|-----------|-----------|-----------|-----------|----------------|
| | | Verti- cal [N/mm] | Hori- zontal [N/mm] | | Without load H _a [mm] | Under load H _b [mm] | L [mm] | B [mm] | l [mm] | b [mm] | t [mm] | s [mm] | |
| | | | | | | | | | | | | | |
| AVIB FO 1-D1 | 0.17 | 10 | 15 | 3.8 | 36 | 19 | 61 | 32 | 47 | 12 | 7 | 11 | 0.12 |
| AVIB FO 2-D1 | 0.34 | 20 | 30 | | | | 93 | 32 | 79 | | | | 0.19 |
| AVIB FO 3-D1 | 0.50 | 30 | 45 | | | | 125 | 32 | 111 | | | | 0.27 |
| AVIB FO 4-D1 | 0.67 | 40 | 60 | | | | 93 | 64 | 79 | | | | 0.38 |
| AVIB FO 5-D1 | 0.84 | 50 | 75 | | | | 106 | 77 | 92 | | | | 0.51 |
| AVIB FO 6-D1 | 1.01 | 60 | 90 | | | | 125 | 64 | 111 | | | | 0.53 |
| AVIB FO 8-D1 | 1.34 | 80 | 120 | | | | 157 | 64 | 143 | | | | 0.68 |
| AVIB FO 1-D2 | 0.27 | 16 | 21 | 3.8 | 39 | 22 | 61 | 32 | 47 | 12 | 7 | 11 | 0.12 |
| AVIB FO 2-D2 | 0.54 | 32 | 42 | | | | 93 | 32 | 79 | | | | 0.20 |
| AVIB FO 3-D2 | 0.81 | 47 | 63 | | | | 125 | 32 | 111 | | | | 0.28 |
| AVIB FO 4-D2 | 1.08 | 63 | 84 | | | | 93 | 64 | 79 | | | | 0.40 |
| AVIB FO 5-D2 | 1.35 | 79 | 105 | | | | 106 | 77 | 92 | | | | 0.53 |
| AVIB FO 6-D2 | 1.61 | 95 | 126 | | | | 125 | 64 | 111 | | | | 0.55 |
| AVIB FO 8-D2 | 2.15 | 126 | 168 | | | | 157 | 64 | 143 | | | | 0.71 |
| AVIB FO 1-N1 | 0.50 | 15 | 16 | 2.7 | 68 | 35 | 92 | 65 | 72 | 18 | 10 | 15 | 0.50 |
| AVIB FO 2-N1 | 1.00 | 30 | 32 | | | | 143 | 65 | 123 | | | | 0.80 |
| AVIB FO 3-N1 | 1.51 | 45 | 48 | | | | 194 | 65 | 174 | | | | 1.10 |
| AVIB FO 4-N1 | 2.01 | 60 | 64 | | | | 143 | 116 | 123 | | | | 1.40 |
| AVIB FO 5-N1 | 2.51 | 76 | 80 | | | | 164 | 137 | 144 | | | | 1.80 |
| AVIB FO 6-N1 | 3.01 | 91 | 96 | | | | 194 | 116 | 174 | | | | 2.00 |
| AVIB FO 8-N1 | 4.02 | 121 | 128 | | | | 246 | 116 | 226 | | | | 2.50 |
| AVIB FO 1-N2 | 0.81 | 28 | 29 | 2.9 | 68 | 39 | 92 | 65 | 72 | 18 | 10 | 15 | 0.50 |
| AVIB FO 2-N2 | 1.63 | 56 | 58 | | | | 143 | 65 | 123 | | | | 0.90 |
| AVIB FO 3-N2 | 2.44 | 84 | 87 | | | | 194 | 65 | 174 | | | | 1.20 |
| AVIB FO 4-N2 | 3.25 | 112 | 116 | | | | 143 | 116 | 123 | | | | 1.50 |
| AVIB FO 5-N2 | 4.07 | 140 | 145 | | | | 164 | 137 | 144 | | | | 1.90 |
| AVIB FO 6-N2 | 4.88 | 167 | 174 | | | | 194 | 116 | 174 | | | | 2.10 |
| AVIB FO 8-N2 | 6.50 | 223 | 232 | | | | 246 | 116 | 226 | | | | 2.70 |
| AVIB FO 1-N3 | 1.39 | 63 | 64 | 3.3 | 68 | 46 | 92 | 65 | 72 | 18 | 10 | 15 | 0.60 |
| AVIB FO 2-N3 | 2.78 | 125 | 128 | | | | 143 | 65 | 123 | | | | 1.00 |
| AVIB FO 3-N3 | 4.16 | 188 | 192 | | | | 194 | 65 | 174 | | | | 1.40 |
| AVIB FO 4-N3 | 5.55 | 251 | 256 | | | | 143 | 116 | 123 | | | | 1.70 |
| AVIB FO 5-N3 | 6.94 | 314 | 320 | | | | 164 | 137 | 144 | | | | 2.20 |
| AVIB FO 6-N3 | 8.33 | 376 | 384 | | | | 194 | 116 | 174 | | | | 2.50 |
| AVIB FO 8-N3 | 11.10 | 502 | 512 | | | | 246 | 116 | 226 | | | | 3.20 |

| Type | Load capacity max. [kN] | Spring constant [N/mm] | | Natural frequency Under max. load [Hz] | Height [mm] | | Dimensions [mm] | | | | | | Weight [kg] |
|--------------|----------------------------|---------------------------|------------|---|--------------------------------|------------------------------|--------------------|-----|-----|----|----|----|----------------|
| | | Vertical | Horizontal | | Without load H _a | Under load H _b | L | B | l | b | t | s | |
| AVIB FO 1-N4 | 3.42 | 91 | 79 | 2.6 | 113 | 75 | 143 | 105 | 115 | 21 | 12 | 20 | 1.60 |
| AVIB FO 2-N4 | 6.84 | 181 | 158 | 2.5 | | | 235 | 105 | 207 | | | | 2.90 |
| AVIB FO 3-N4 | 10.27 | 272 | 237 | | | | 326 | 105 | 298 | | | | 4.20 |
| AVIB FO 4-N4 | 13.69 | 362 | 316 | | | | 235 | 197 | 207 | | | | 5.50 |
| AVIB FO 5-N4 | 17.11 | 453 | 395 | | | | 272 | 234 | 244 | | | | 7.10 |
| AVIB FO 6-N4 | 20.53 | 543 | 474 | | | | 326 | 197 | 298 | | | | 8.00 |
| AVIB FO 8-N4 | 27.38 | 724 | 632 | | | | 418 | 197 | 390 | | | | 10.40 |
| AVIB FO 1-N5 | 6.23 | 192 | 74 | 2.7 | 113 | 81 | 143 | 105 | 115 | 21 | 12 | 20 | 1.80 |
| AVIB FO 2-N5 | 12.46 | 385 | 348 | 2.8 | | | 235 | 105 | 207 | | | | 3.40 |
| AVIB FO 3-N5 | 18.69 | 577 | 522 | | | | 326 | 105 | 298 | | | | 4.90 |
| AVIB FO 4-N5 | 24.92 | 769 | 696 | | | | 235 | 197 | 207 | | | | 6.30 |
| AVIB FO 5-N5 | 31.15 | 962 | 870 | | | | 272 | 234 | 244 | | | | 8.20 |
| AVIB FO 6-N5 | 37.37 | 1154 | 1044 | | | | 326 | 197 | 298 | | | | 9.20 |
| AVIB FO 8-N5 | 49.83 | 1538 | 1392 | | | | 418 | 197 | 390 | | | | 12.10 |
| AVIB FO 1-N6 | 8.66 | 328 | 306 | 3.0 | 113 | 87 | 143 | 105 | 115 | 21 | 12 | 20 | 2.20 |
| AVIB FO 2-N6 | 17.31 | 656 | 612 | | | | 235 | 105 | 207 | | | | 4.00 |
| AVIB FO 3-N6 | 25.97 | 983 | 918 | | | | 326 | 105 | 298 | | | | 5.90 |
| AVIB FO 4-N6 | 34.63 | 1311 | 1224 | | | | 235 | 197 | 207 | | | | 7.70 |
| AVIB FO 5-N6 | 43.29 | 1639 | 1530 | | | | 272 | 234 | 244 | | | | 9.90 |
| AVIB FO 6-N6 | 51.94 | 1967 | 1836 | | | | 326 | 197 | 298 | | | | 11.30 |
| AVIB FO 8-N6 | 69.26 | 2622 | 2448 | | | | 418 | 197 | 390 | | | | 14.90 |
| AVIB FO 1-N7 | 13.92 | 698 | 688 | 3.5 | 113 | 93 | 143 | 105 | 115 | 21 | 12 | 20 | 2.70 |
| AVIB FO 2-N7 | 27.83 | 1395 | 1376 | | | | 235 | 105 | 207 | | | | 5.00 |
| AVIB FO 3-N7 | 41.75 | 2093 | 2064 | | | | 326 | 105 | 298 | | | | 7.40 |
| AVIB FO 4-N7 | 55.66 | 2790 | 2752 | | | | 235 | 197 | 207 | | | | 9.70 |
| AVIB FO 5-N7 | 69.58 | 3488 | 3440 | | | | 272 | 234 | 244 | | | | 12.40 |
| AVIB FO 6-N7 | 83.50 | 4185 | 4128 | | | | 326 | 197 | 298 | | | | 14.30 |
| AVIB FO 8-N7 | 111.33 | 5580 | 5504 | | | | 418 | 197 | 390 | | | | 18.80 |
| AVIB FO 1-W4 | 4.98 | 64 | 50 | 1.8 | 171 | 93 | 160 | 132 | 95 | 21 | 12 | 20 | 2.50 |
| AVIB FO 2-W4 | 9.95 | 128 | 100 | | | | 279 | 132 | 251 | | | | 5.10 |
| AVIB FO 3-W4 | 14.93 | 192 | 150 | | | | 397 | 132 | 369 | | | | 7.50 |
| AVIB FO 4-W4 | 19.90 | 256 | 200 | | | | 279 | 251 | 251 | | | | 9.80 |
| AVIB FO 5-W4 | 24.88 | 320 | 250 | | | | 327 | 299 | 299 | | | | 12.70 |
| AVIB FO 6-W4 | 29.85 | 384 | 300 | | | | 397 | 251 | 369 | | | | 14.40 |
| AVIB FO 8-W4 | 39.80 | 512 | 400 | | | | 516 | 251 | 488 | | | | 19.00 |
| AVIB FO 1-W5 | 7.28 | 111 | 88 | 1.9 | 171 | 105 | 160 | 132 | 132 | 21 | 12 | 20 | 3.30 |
| AVIB FO 2-W5 | 14.57 | 222 | 176 | | | | 279 | 132 | 251 | | | | 6.20 |
| AVIB FO 3-W5 | 21.85 | 333 | 264 | | | | 397 | 132 | 369 | | | | 9.10 |
| AVIB FO 4-W5 | 29.13 | 444 | 352 | | | | 279 | 251 | 251 | | | | 12.0 |
| AVIB FO 5-W5 | 36.42 | 555 | 440 | | | | 327 | 299 | 299 | | | | 15.40 |
| AVIB FO 6-W5 | 43.70 | 666 | 528 | | | | 397 | 251 | 369 | | | | 17.70 |
| AVIB FO 8-W5 | 58.26 | 888 | 704 | | | | 516 | 251 | 488 | | | | 23.40 |
| AVIB FO 1-W6 | 11.30 | 165 | 144 | 1.9 | 171 | 102 | 160 | 132 | 132 | 21 | 12 | 20 | 3.60 |
| AVIB FO 2-W6 | 22.60 | 330 | 288 | | | | 279 | 132 | 251 | | | | 6.80 |
| AVIB FO 3-W6 | 33.91 | 495 | 432 | | | | 397 | 132 | 369 | | | | 10.10 |
| AVIB FO 4-W6 | 45.21 | 660 | 576 | | | | 279 | 251 | 251 | | | | 13.20 |
| AVIB FO 5-W6 | 56.51 | 825 | 720 | | | | 327 | 299 | 299 | | | | 17.00 |
| AVIB FO 6-W6 | 67.81 | 990 | 864 | | | | 397 | 251 | 369 | | | | 19.60 |
| AVIB FO 8-W6 | 90.42 | 1320 | 1152 | | | | 516 | 251 | 488 | | | | 25.90 |
| AVIB FO 1-W7 | 13.84 | 269 | 232 | 2.2 | 171 | 120 | 160 | 132 | 132 | 21 | 12 | 20 | 4.60 |
| AVIB FO 2-W7 | 27.68 | 538 | 464 | | | | 279 | 132 | 251 | | | | 8.80 |
| AVIB FO 3-W7 | 41.52 | 806 | 696 | | | | 397 | 132 | 369 | | | | 13.00 |
| AVIB FO 4-W7 | 55.36 | 1075 | 928 | | | | 279 | 251 | 251 | | | | 17.10 |
| AVIB FO 5-W7 | 69.21 | 1344 | 1160 | | | | 327 | 299 | 299 | | | | 21.90 |
| AVIB FO 6-W7 | 83.05 | 1613 | 1392 | | | | 397 | 251 | 369 | | | | 25.40 |
| AVIB FO 8-W7 | 110.73 | 2150 | 1856 | | | | 516 | 251 | 488 | | | | 33.70 |

■ Accessorie: Height Adjustment



| Type | Load capacity max. | Spring constant | | Natural frequency under max. Load | Height | | Dimensions | | | | | | | | | Weight | |
|--------------|--------------------|-----------------|------------|-----------------------------------|--------------------------------|------------------------------|------------|-----|-----|-----|----|----|-----|-----|----|--------|------|
| | | Vertical | Horizontal | | Without load H _a | Under load H _b | L | B | l | b | s | t | g | N | K | | E |
| | | | | | | | | | | | | | | | | | |
| AVIB FO 1-D1 | 0.17 | 10 | 15 | 3.8 | 36 | 19 | 61 | 32 | 47 | 12 | 10 | 7 | M10 | 21 | 36 | 65 | 0.20 |
| AVIB FO 2-D1 | 0.34 | 20 | 30 | | | | 122 | 32 | 108 | | | | | | | | 0.31 |
| AVIB FO 3-D1 | 0.50 | 30 | 45 | | | | 125 | 32 | 111 | | | | | | | | 0.35 |
| AVIB FO 4-D1 | 0.67 | 40 | 60 | | | | 101 | 72 | 87 | | | | | | | | 0.50 |
| AVIB FO 1-D2 | 0.27 | 16 | 21 | 3.8 | 39 | 22 | 61 | 32 | 47 | 12 | 10 | 7 | M10 | 21 | 36 | 65 | 0.20 |
| AVIB FO 2-D2 | 0.54 | 32 | 42 | | | | 122 | 32 | 108 | | | | | | | | 0.32 |
| AVIB FO 3-D2 | 0.81 | 47 | 63 | | | | 125 | 32 | 111 | | | | | | | | 0.36 |
| AVIB FO 4-D2 | 1.08 | 63 | 84 | | | | 101 | 72 | 87 | | | | | | | | 0.51 |
| AVIB FO 1-N1 | 0.50 | 15 | 16 | 2.7 | 70 | 37 | 92 | 65 | 72 | 18 | 15 | 10 | M16 | 36 | 44 | 92 | 0.8 |
| AVIB FO 2-N1 | 1.00 | 30 | 32 | | | | 181 | 65 | 161 | | | | | | | | 1.3 |
| AVIB FO 3-N1 | 1.51 | 45 | 48 | | | | 194 | 65 | 174 | | | | | | | | 1.5 |
| AVIB FO 4-N1 | 2.01 | 60 | 64 | | | | 152 | 120 | 132 | | | | | | | | 1.8 |
| AVIB FO 1-N2 | 0.81 | 28 | 29 | 2.9 | 70 | 41 | 92 | 65 | 72 | 18 | 15 | 10 | M16 | 36 | 44 | 92 | 0.8 |
| AVIB FO 2-N2 | 1.63 | 56 | 58 | | | | 181 | 65 | 161 | | | | | | | | 1.3 |
| AVIB FO 3-N2 | 2.44 | 84 | 87 | | | | 194 | 65 | 174 | | | | | | | | 1.5 |
| AVIB FO 4-N2 | 3.25 | 112 | 116 | | | | 152 | 120 | 132 | | | | | | | | 1.9 |
| AVIB FO 1-N3 | 1.39 | 63 | 64 | 3.3 | 70 | 48 | 92 | 65 | 72 | 18 | 15 | 10 | M16 | 36 | 44 | 92 | 0.9 |
| AVIB FO 2-N3 | 2.78 | 125 | 128 | | | | 181 | 65 | 161 | | | | | | | | 1.5 |
| AVIB FO 3-N3 | 4.16 | 188 | 192 | | | | 194 | 65 | 174 | | | | | | | | 1.7 |
| AVIB FO 4-N3 | 5.55 | 251 | 256 | | | | 152 | 120 | 132 | | | | | | | | 2.2 |
| AVIB FO 1-N4 | 3.42 | 91 | 79 | 2.6 | 122 | 84 | 143 | 105 | 115 | 21 | 20 | 12 | M27 | 58 | 48 | 124 | 3.6 |
| AVIB FO 2-N4 | 6.84 | 181 | 158 | | | | 293 | 105 | 265 | | | | | | | | 6.3 |
| AVIB FO 3-N4 | 10.27 | 272 | 237 | 2.5 | | | 326 | 105 | 298 | | | | | | | | 7.4 |
| AVIB FO 4-N4 | 13.69 | 362 | 316 | | | | 245 | 202 | 217 | | | | | | | | 9.6 |
| AVIB FO 1-N5 | 6.23 | 192 | 174 | 2.7 | 122 | 90 | 143 | 105 | 115 | 21 | 20 | 12 | M27 | 58 | 48 | 124 | 3.9 |
| AVIB FO 2-N5 | 12.46 | 385 | 348 | | | | 293 | 105 | 265 | | | | | | | | 6.8 |
| AVIB FO 3-N5 | 18.69 | 577 | 522 | 2.8 | | | 326 | 105 | 298 | | | | | | | | 8.1 |
| AVIB FO 4-N5 | 24.92 | 769 | 696 | | | | 245 | 202 | 217 | | | | | | | | 10.5 |
| AVIB FO 1-N6 | 8.66 | 328 | 306 | 3.0 | 122 | 96 | 143 | 105 | 115 | 21 | 20 | 12 | M27 | 58 | 48 | 124 | 4.2 |
| AVIB FO 2-N6 | 17.31 | 656 | 612 | | | | 293 | 105 | 265 | | | | | | | | 7.5 |
| AVIB FO 3-N6 | 25.97 | 983 | 918 | | | | 326 | 105 | 298 | | | | | | | | 9.1 |
| AVIB FO 1-N7 | 13.92 | 698 | 688 | 3.5 | | | 122 | 102 | 143 | | | | 105 | 115 | 21 | 20 | 12 |
| AVIB FO 2-N7 | 27.83 | 1395 | 1376 | | 293 | 105 | | | 265 | 8.4 | | | | | | | |

| Type | Load capacity Max. | Spring constant | | Natural frequency under max. Load | Height | | Dimensions | | | | | | | | Weight | | |
|--------------|-----------------------|-----------------|-----------------|---|---------------------------------------|-------------------------------------|------------|--------|------|------|------|------|------|----|--------|------|------|
| | | Verti- cal | Hori- zontal | | Without Load H _a | Under load H _b | L | B | I | b | s | t | g | N | | K | E |
| | | | | | | | [kN] | [N/mm] | [Hz] | [mm] | [mm] | [mm] | | | | [mm] | |
| AVIB FO 1-W4 | 4.98 | 64 | 50 | 1.8 | 180 | 102 | 160 | 132 | 95 | 21 | 20 | 12 | M27 | 58 | 48 | 124 | 4.5 |
| AVIB FO 2-W4 | 9.95 | 128 | 100 | | | | 338 | 132 | 310 | | | | | | | | 9.3 |
| AVIB FO 3-W4 | 14.93 | 192 | 150 | | | | 397 | 132 | 369 | | | | | | | | 11.7 |
| AVIB FO 4-W4 | 19.90 | 256 | 200 | | | | 281 | 253 | 253 | | | | | | | | 15.4 |
| AVIB FO 1-W5 | 7.28 | 111 | 88 | 1.9 | 180 | 114 | 160 | 132 | 132 | 21 | 20 | 12 | M27 | 58 | 48 | 124 | 5.6 |
| AVIB FO 2-W5 | 14.57 | 222 | 176 | | | | 338 | 132 | 310 | | | | | | | | 10.4 |
| AVIB FO 3-W5 | 21.85 | 333 | 264 | | | | 397 | 132 | 369 | | | | 13.3 | | | | |
| AVIB FO 4-W5 | 29.13 | 444 | 352 | | | | 281 | 253 | 253 | | | | 17.6 | | | | |
| AVIB FO 1-W6 | 11.30 | 165 | 144 | 1.9 | 180 | 112 | 160 | 132 | 132 | 21 | 20 | 12 | M27 | 58 | 48 | 124 | 5.9 |
| AVIB FO 2-W6 | 22.60 | 330 | 288 | | | | 338 | 132 | 310 | | | | M30 | 61 | 44 | 124 | 11.1 |
| AVIB FO 1-W7 | 13.84 | 269 | 232 | 2.2 | 180 | 129 | 160 | 132 | 132 | 21 | 20 | 12 | M27 | 58 | 48 | 124 | 6.9 |
| AVIB FO 2-W7 | 27.68 | 538 | 464 | | | | 338 | 132 | 310 | | | | M30 | 61 | 44 | 124 | 13.0 |

The data given in this product information are based on our present state of knowledge, reflect the state-of-the-art technology and are subject to change. Warranty is granted only on the basis of individual contracts and execution by G+H Schallschutz.