

AVIBRATOR® Type FO

for Vibration Isolation and Structure-Borne Noise Reduction

- **Load capacity up to 13.9 kN**
Vertical natural frequency 1.8 Hz (minimum)

- **Mode of Function**
The transmission of intermittent or periodic impact force is considerably reduced by the vibration isolation bedding of machines and plants on G+H bearing elements.

Advantages

- Steel screw pressure springs acc. to DIN EN 13906 block fixed to absorb overloads (e.g. during erection)
- Because of the open construction, the operation is always controllable
- Due to the high static friction of the adhesive and structure-borne noise damping sheets., installation is usually possible without further fixing
- Horizontal spring ratio 73-98 % of the vertical spring ratio

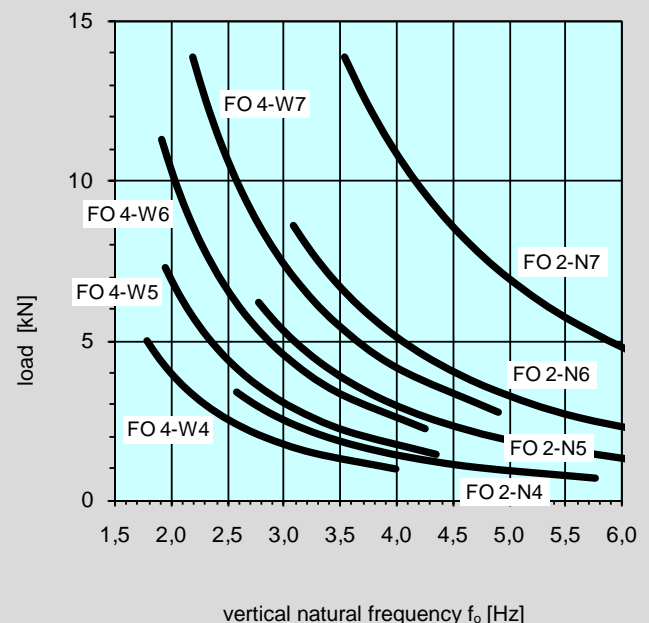
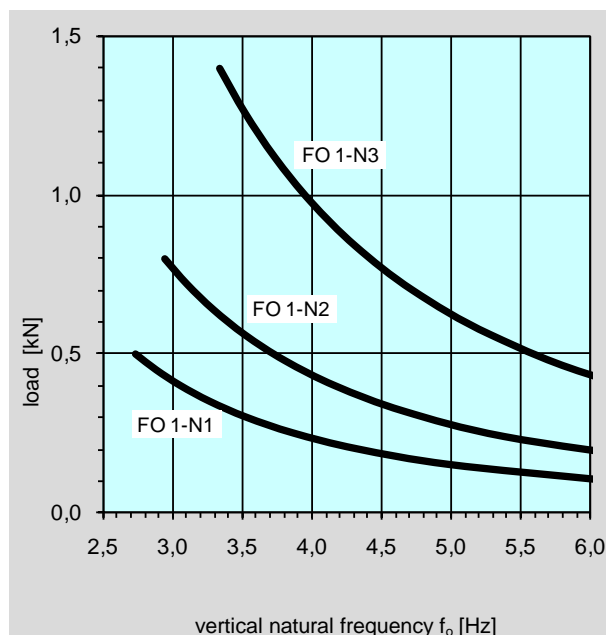
Execution

- Type FO... and Type FO...-H: Mounting plates lacquered, Type FOG...: Both sides hard-rubber plates. Resistant to lye, petrol, aliphatic solvents, oils and greases
- Steel screws pressure springs in compliance with DIN EN 13906
- Steel screws pressure springs with anticorrosive coating



Accessories

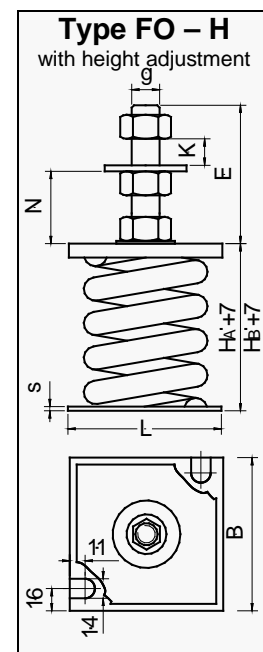
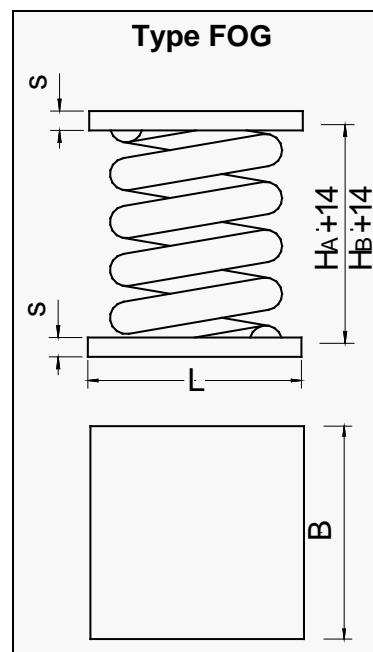
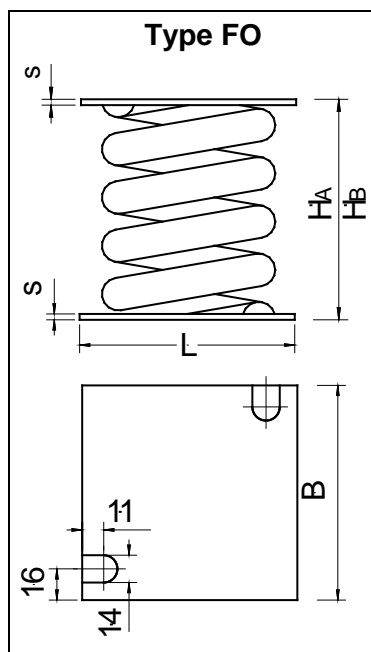
- **Adhesive sheet at bottom** –Gu (Type FO... and FO...-H)
Adhesive Sheet on top –Go: (Type FO...)
For mounting, fixing and levelling uneven surfaces on erection site
- Due to their good adhesive features, the adhesive and the structure-borne noise damping sheets are in most cases suitable for the mounting (not using any screws). Thickness: 2 mm
- **Structure-borne Damping Sheet:** –K (not for Type FOG...) Like adhesive sheet at bottom, however additional improvement of structure-borne damping. Thickness: 5 mm
- **Height Adjustment:** –H (Type FO...-H)
For levelling uneven surfaces on erection site and for adjusting height of the vibration isolated machine or plant
- **Gemak®-Glue:** To glue Avibrators with adhesive or structure-borne damping sheet with surfaces



■ Technical Data, Dimensions, Weights

Type	Load Capacity F_{zul} [kN]	Spring Constant		Natural Frequency		Height		Dimensions						Weight [kg]	
		verti- cal C_v [N/mm]	hori- zontal C_h	vertical ¹ f_o [1/min] [Hz]	un- loaded H_A [mm]	loaded ¹ H_B [mm]	L [mm]	B [mm]	s [mm]	g	with height adjustment (-H) min. max. E N K [mm]				
FO 1-N 1	0,50	15	16	164	2,7	68	35	80	80	3	M 16	36	41	92	0,37
FOG 1-N 1						82	49	70	70	10					
FO 1-N 2	0,80	28	29	177	2,9	68	39	80	80	3	M 16	36	41	92	0,39
FOG 1-N 2						82	53	70	70	10					
FO 1-N 3	1,40	63	64	201	3,3	68	46	80	80	3	M 16	36	41	92	0,50
FOG 1-N 3						82	60	70	70	10					
FO 2-N 4	3,40	91	79	155	2,6	113	76	110	110	3	M 20	44	38	100	1,25
FOG 2-N 4						127	90	110	110	10					
FO 2-N 5	6,20	192	174	166	2,8	113	81	110	110	3	M 20	44	38	100	1,49
FOG 2-N 5						127	95	110	110	10					
FO 2-N 6	8,60	328	306	185	3,1	113	87	110	110	3	M 20	44	38	100	1,83
FOG 2-N 6						127	101	110	110	10					
FO 2-N 7	13,90	698	688	212	3,5	113	93	110	110	3	M 20	44	38	100	2,33
FOG 2-N 7						127	107	110	110	10					
FO 4-W 4	5,00	64	50	107	1,8	171	93	140	140	3	M 20	44	38	100	2,34
FOG 4-W 4						185	107	130	130	10					
FO 4-W 5	7,30	111	88	117	1,9	171	105	140	140	3	M 20	44	38	100	2,89
FOG 4-W 5						185	119	130	130	10					
FO 4-W 6	11,30	165	144	114	1,9	171	103	140	140	3	M 20	44	38	100	3,20
FOG 4-W 6						185	117	130	130	10					
FO 4-W 7	13,90	269	232	132	2,2	171	119	140	140	3	M 20	44	38	100	4,18
FOG 4-W 7						185	133	130	130	10					

¹ at maximum load capacity



The data given in this product information are based on our present state of knowledge, reflect the state-of-the-art technology and are subject to change. Warranty is granted only on the basis of individual contracts and execution by G+H Schallschutz.